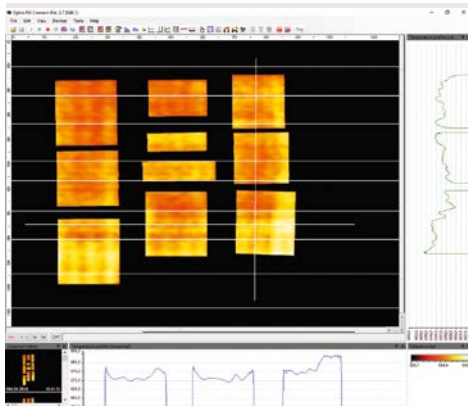
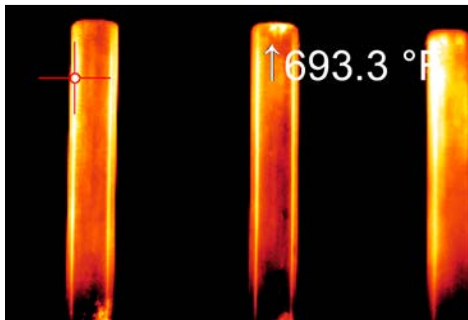


Thermal imaging solution for the glass industry

Features:

- Line scan function through license-free analysis software PIX Connect
- Compact in size of 46 x 56 x 68 - 77 mm (1.8 x 2.2 x 2.7 - 3.0 in)
- Frame rate of 80 Hz
- Withstands ambient temperatures of up to 70 °C (158 °F) without additional cooling



Technical specifications

| | |
|--|---|
| Optical resolution | 382 x 288 pixels |
| Detector | FPA, uncooled (17 µm x 17 µm) |
| Spectral range | 7.9 µm |
| Temperature ranges | 200 ... 1500 °C (392 ... 2732 °F) 150 ... 900 °C (302 ... 1652 °F) |
| Sighting range | 0 ... 250 °C (32 ... 482 °F) |
| Frame rate | 80 Hz/ switchable to 27 Hz |
| Optics (FOV) | 29° x 22° / f = 12,7 mm (f = 0.5 in) or 18° x 14° / f = 20 mm (f = 0.7 in) or 53° x 38° / f = 7,7 mm (f = 0.3 in) or 80° x 54° / f = 5,7 mm (f = 0.2 in) |
| Thermal sensitivity (NETD) at T _{Obj} = 650 °C (1202 °F) / 20 Hz | 150 mK 175 mK (for 18° optics) |
| Accuracy | ±2 °C or ±2 % (±3.6 °F or ±2 %), whichever is greater |
| PC interface | USB 2.0 / optional USB to GigE (PoE) interface |
| Process interface (PIF), standard | 0 – 10 V input, digital input (max. 24 V), 0 – 10 V output |
| Process interface (PIF), industrial | 2x 0 – 10 V input, digital input (max. 24 V), 3x 0/4 – 20 mA outputs, 3x relay (0–30 V/ 400 mA), fail-safe relay |
| Cable length (USB) | 1 m (standard) / 5 m / 10 m / 20 m (3.3 / 16.4 / 32.8 / 65.6 ft) 5 and 10 m (16.4 and 32.8 ft) also as HT cable (180 or 250 °C [356 or 482 °F]) |
| Ambient temperature | 0 °C ... 70 °C (32 °F ... 158 °F) |
| Storage temperature | –40 ... 85 °C (–40 ... 185 °F) |
| Relative humidity | 20 – 80 %, non-condensing |
| Enclosure (size / rating) | 46 x 56 x 68 - 77 mm (1.8 x 2.2 x 2.7 - 3.0 in) (depending on lens + focus position) / IP 67 (NEMA 4) |
| Weight | 237 - 251 g (8.36 - 8.85 oz), depending on lens |
| Shock / Vibration ¹⁾ | IEC 60068-2-27 (25G and 50G) / IEC 60068-2-6 (sinus shaped), IEC 60068-2-64 (broadband noise) |
| Tripod mount | ¼ - 20 UNC |
| Power supply | USB powered |
| Scope of supply | <ul style="list-style-type: none"> • USB camera with 1 lens • USB cable (1 m [3.3 ft]) • Table tripod • Standard PIF with cable (1 m [3.3 ft]) and terminal block • Software package optris PIX Connect • Rugged outdoor case |

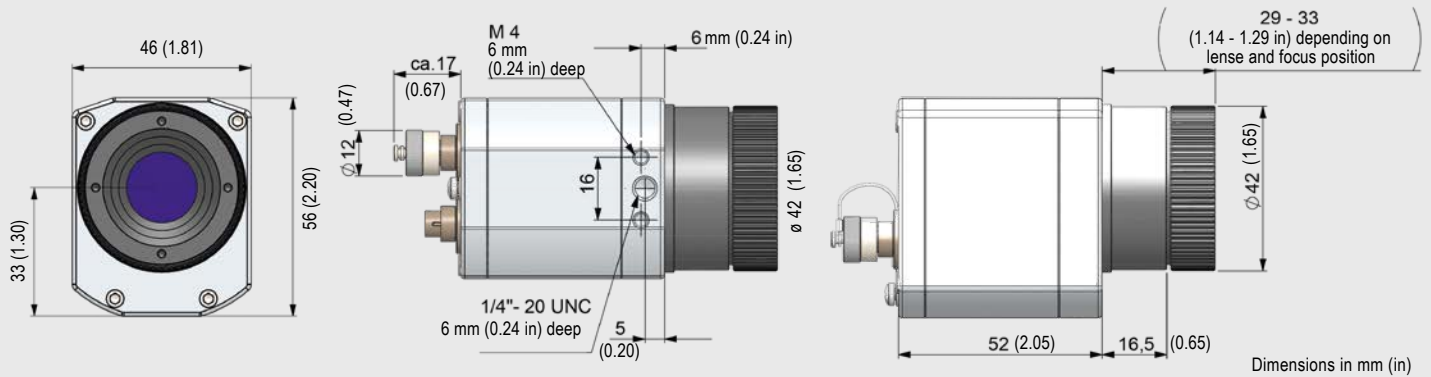


For further information on non-contact temperature measurement in the glass industry, please visit www.optris.com/pi-450i-g7-640-g7-for-glass

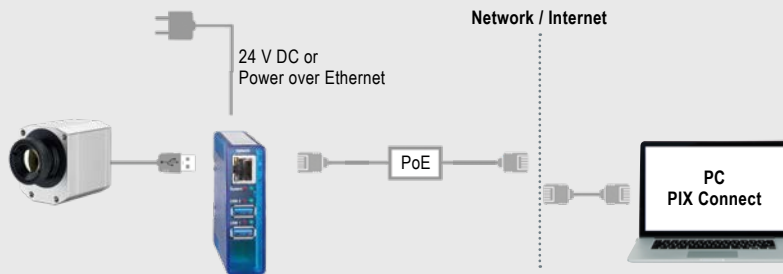
¹⁾ For more details see operator's manual

optris PI 450i G7

Dimensions



Process integration

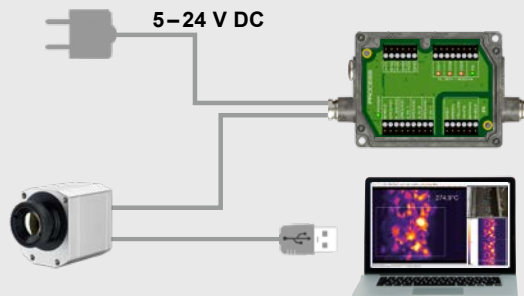


optris USB-Server Gigabit 2.0

- Network connection via Gigabit Ethernet
- Full TCP/IP support incl. routing and DNS
- Two independent USB ports
- Power via PoE or external voltage supply at 24 – 48 V DC
- Galvanic isolation 500 V_{RMS}
- Remotely configurable via web based management

For further information please visit

www.optris.com/usb-server-industry-isochron

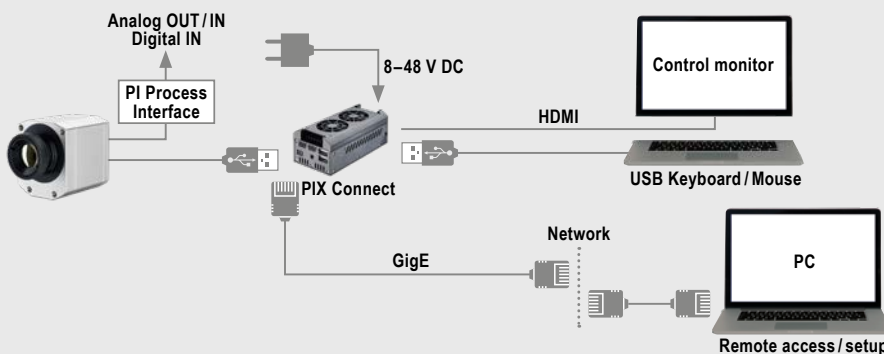


optris Industrial process interface

- Use of camera for process monitoring in industrial environments
- Continuous fail safe monitoring of imager, software and cable connections
- 3 analog/ alarm outputs, 2 analog inputs, 1 digital input, 3 alarm relays, 1 fail-safe relay

For further information please visit

www.optris.com/industrial-process-interface



optris PI NetBox

- Miniature PC as add-on to the PI series for stand-alone system
- Integrated hardware and software watchdog
- Connections: 2x USB 2.0, 1x USB 3.0, 1x Mini-USB 2.0, Micro-HDMI, Ethernet (Gigabit Ethernet), micro SDHC / SDXC card

For further information please visit

www.optris.com/pi-netbox