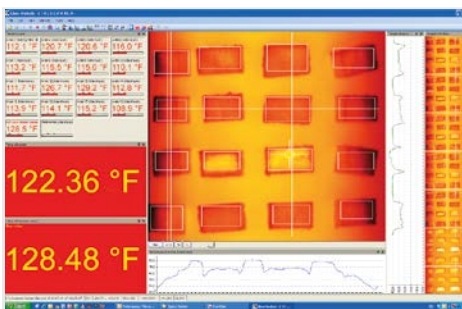
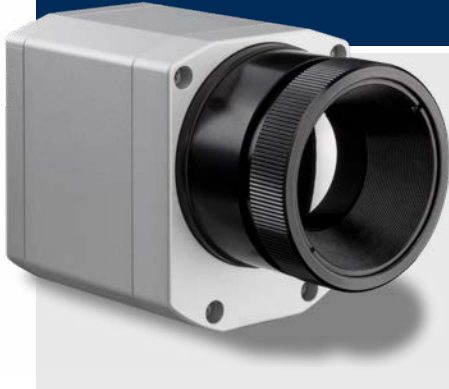


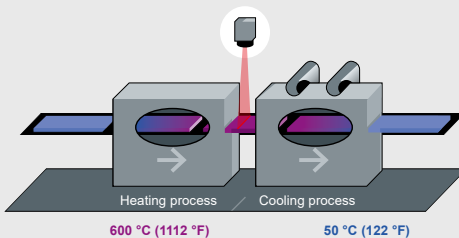
High-resolution thermal imaging solution for the glass industry

Features:

- Line scan function through license-free analysis software optris PIX Connect
- Compact in size: 46 x 56 x 76 - 100 mm (1.8 x 2.2 x 3.0 - 3.9 in)
- Frame rate of up to 125 Hz
- Max. scan angle of 111° with 800 pixels per line



Infrared camera with line scan mode



For further information on non-contact temperature measurement in the glass industry, please visit

www.optris.com/temperature-monitoring-glass-industry

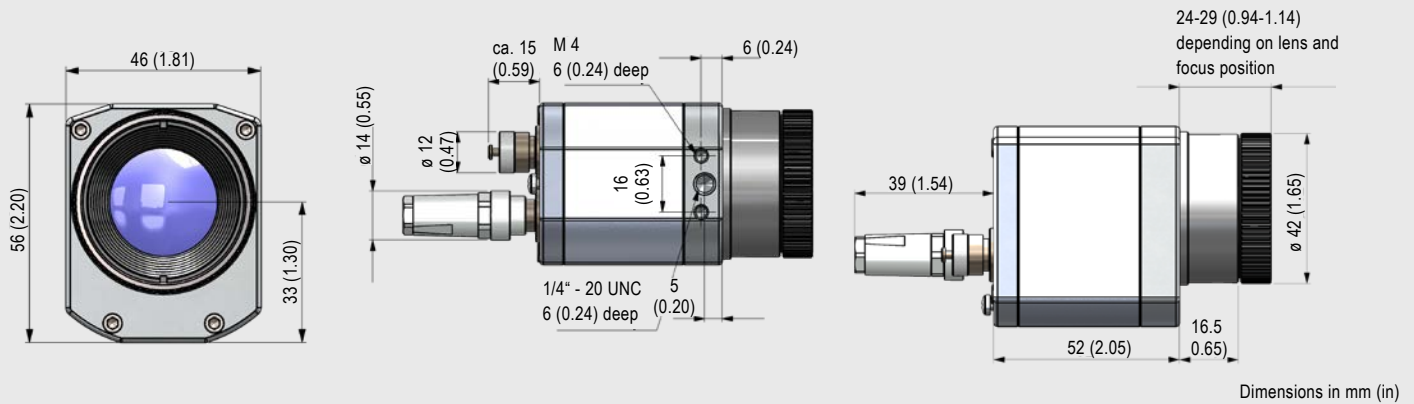
Technical specifications

Optical resolution	640 x 480 pixel
Detector	FPA, uncooled (17 µm x 17 µm)
Spectral range	7.9 µm
Temperature ranges	200 ... 1500 °C (392 ... 2732 °F) 150 ... 900 °C (302 ... 1652 °F)
Sighting range	0 ... 250 °C (32 ... 482 °F)
Frame rate	32 Hz / 125 Hz @ 640 x 120 pixels
Optics (FOV)	15° x 11° FOV / f=41.5 mm (f=1.6 in) or 33° x 25° FOV / f = 18.7 mm (f=0.7 in) or 60° x 45° FOV / f = 10.5 mm (f=0.4 in) or 90° x 66° FOV / f = 7.7 mm (f=0.3 in) max. FOV: 111° / 800 pixels (diagonal scan line / 90° lens)
Thermal sensitivity (NETD) at T _{Obj} = 650 °C (1202 °F)	130 mK
Accuracy	±2 °C or ±2 % (±3.6 °F or ±2 %), whichever is greater
PC interface	USB 2.0 / optional USB to GigE (PoE) interface
Process interface (PIF), standard	0–10 V input, digital input (max. 24 V), 0–10 V output
Process interface (PIF), industrial	2x 0–10 V input, digital input (max. 24 V), 3x 0/4–20 mA outputs, 3x relay (0–30 V/400 mA), fail-safe relay
Cable length (USB)	1 (standard) / 5 m / 10 m / 20 m (3.3 / 16.4 / 32.8 / 65.6 ft) 5 and 10 m (16.4 and 32.8 ft) also as HT cable (180 or 250 °C [356 or 482 °F])
Ambient temperature	0 °C ... 50 °C (32 °F ... 122 °F)
Storage temperature	–40 ... 85 °C (–40 ... 185 °F)
Relative humidity	20–80 %, non-condensing
Enclosure (size / rating)	46 x 56 x 76 - 100 mm (1.8 x 2.2 x 3.0 - 3.9 in) (depending on lens + focus position) / IP 67 (NEMA 4)
Weight	269 - 340 g (10.59 - 13.38 oz), depending on lens
Shock / Vibration ¹⁾	IEC 60068-2-27 (25G and 50G) / IEC 60068-2-6 (sinus shaped), IEC 60068-2-64 (broadband noise)
Tripod mount	¼-20 UNC
Power supply	USB powered
Scope of supply	<ul style="list-style-type: none"> • USB camera with 1 lens • USB cable (1 m [3.3 ft]) • Table tripod • Standard PIF with cable (1 m [3.3 ft]) and terminal block • Software package optris PIX Connect • Rugged outdoor case

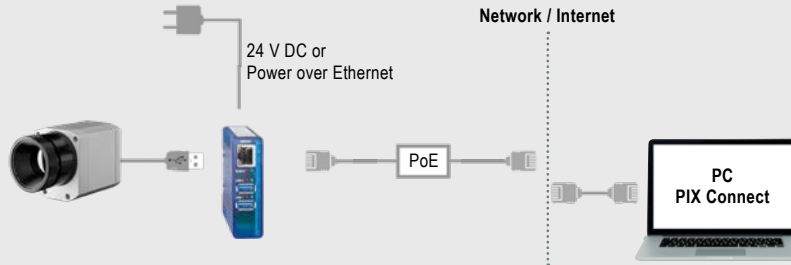
¹⁾ For more details see operator's manual

optris PI 640 G7

Dimensions



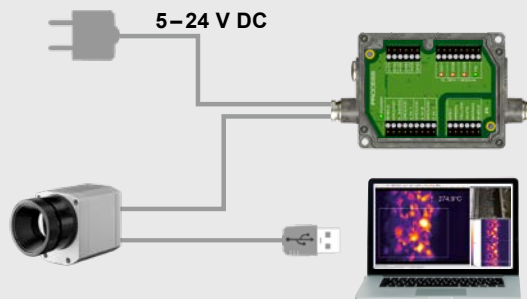
Process integration



optris USB-Server Gigabit 2.0

- Network connection via Gigabit Ethernet
- Full TCP/IP support incl. routing and DNS
- Two independent USB ports
- Power via PoE or external voltage supply at 24 – 48 V DC
- Galvanic isolation 500 V_{RMS}
- Remotely configurable via web based management

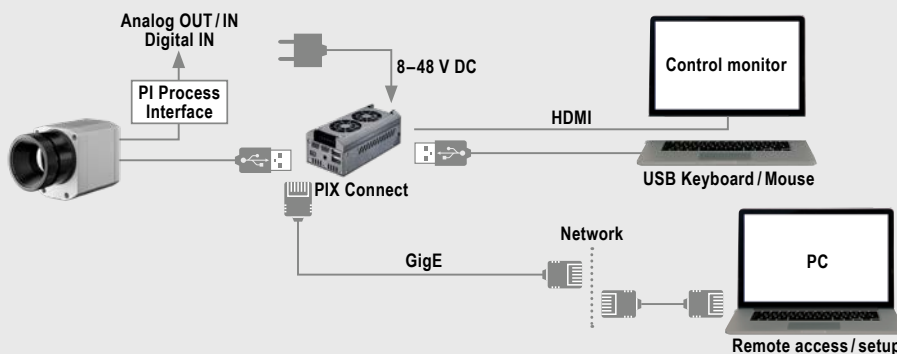
For further information please visit www.optris.com/usb-server-industry-isochron



optris Industrial process interface

- Use of camera for process monitoring in industrial environments
- Continuous fail safe monitoring of imager, software and cable connections
- 3 analog/ alarm outputs, 2 analog inputs, 1 digital input, 3 alarm relays, 1 fail-safe relay

For further information please visit www.optris.com/industrial-process-interface



optris PI NetBox

- Miniature PC as add-on to the PI series for stand-alone system
- Integrated hardware and software watchdog
- Connections: 2x USB 2.0, 1x USB 3.0, 1x Mini-USB 2.0, Micro-HDMI, Ethernet (Gigabit Ethernet), micro SDHC / SDXC card

For further information please visit www.optris.com/pi-netbox