

**Compact infrared camera
for laser applications**

Features:

- Wide measurement range from 575 °C to 1900 °C (1652 °F to 3632 °F) without sub-ranges
- Special narrow-band spectral response at 800 nm ideal for almost all NIR and CO₂ laser processing applications
- High dynamic CMOS detector with up to 764 x 480 pixels resolution
- Up to 1 kHz frame rate for fast processes
- Real-time analog output with 1 ms response time
- Extensive software package and SDK included

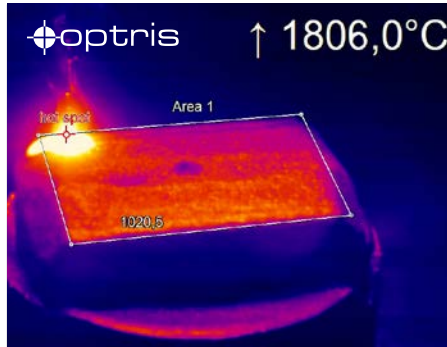
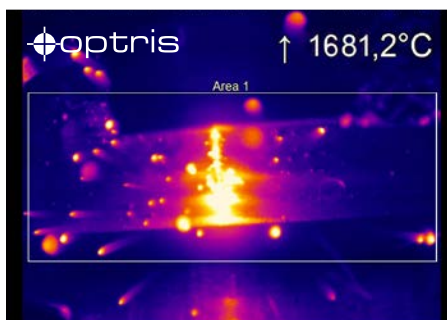


Image: SLV Halle GmbH, Germany 2018



For further information as well as the product configurator, please visit:
www.optris.com/thermal-imager-pi-08m

Technical specifications

Optical resolution (switchable) / Frame rate	764 x 480 pixels @ 32 Hz / 382 x 288 pixels @ 80 Hz (switchable to 27 Hz) 72 x 56 pixels @ 1 kHz ¹⁾ / 764 x 8 pixels @ 1 kHz (fast linescanning mode) ¹⁾	
Detector	CMOS (15 µm x 15 µm)	
Spectral range	780 – 820 nm	
Temperature range	575 °C ... 1900 °C (27 Hz mode) (1067 °F ... 3452 °F) 625 °C ... 1900 °C (32 / 80 Hz mode) (1157 °F ... 3452 °F) 750 °C ... 1900 °C (1 kHz mode) (1382 °F ... 3452 °F)	
Optics	FOV @ 764 x 480 px: 39° x 25° (f = 16 mm) (0.63 in) 26° x 16° (f = 25 mm) (0.98 in)	FOV @ 382 x 288 px: 20° x 15° (f = 16 mm) (0.63 in) 13° x 10° (f = 25 mm) (0.98 in)
Thermal sensitivity (NETD)	< 2 K (<1000 °C [1832 °F]) / 27 Hz to 1kHz ²⁾	
Accuracy	+/- 1 % of reading (<1500 °C [2732 °F]) / +/- 1,5 % of reading (>1500 °C [2732 °F]) ³⁾	
PC interface	USB 2.0 / optional USB to GigE (PoE) conversion	
High speed analog output (@ 1 kHz mode)	0 – 10 V real time output of 8 x 8 pixels (1 ms response time)	
Standard process interface (PIF)	0 – 10 V input, digital input (max. 24 V), 0 – 10 V output	
Industrial process interface (PIF)	2x 0 – 10 V inputs, digital input (max. 24 V), 3x 0/4 – 20 mA outputs, 3x relay (0 – 30 V / 400 mA), fail-safe relays	
Cable length (USB)	1 m (standard), 5 m, 10 m, 20 m (3.3 ft [standard]), 16.4 ft, 32.8ft, 65.6 ft) 5 / 10 m (16.4 / 32.8 ft) also available as HT cable (180 or 250 °C [356 or 482 °F])	
Ambient temperature	5 °C ... 50 °C (41 °F ... 122 °F)	
Storage temperature	–40 °C ... 70 °C (–40 °F ... 158 °F)	
Relative humidity	20 – 80 %, non-condensing	
Enclosure (size / rating)	46 x 56 x 88 - 129 mm (1.8 x 2.2 x 3.5 - 5.1 in) (depending on lens + focus position) / IP 67 (NEMA 4) ⁴⁾	
Weight	245 - 311 g (8.64 - 10.97 oz), depending on lens	
Shock / Vibration ⁵⁾	IEC 60068-2-27 (25G and 50G) / IEC 60068-2-6 (sinus shaped), IEC 60068-2-64 (broadband noise)	
Tripod mount	¼ – 20 UNC	
Power supply	via USB	
Software	optris PIX Connect / IRmobile Android App	
Scope of supply (standard)	<ul style="list-style-type: none"> • USB camera with 1 lens • USB cable (1 m) (3.3 ft) • PIF cable (1 m) (3.3 ft) incl. terminal block • Lens protection tube incl. protective window 	<ul style="list-style-type: none"> • Table tripod • Software package optris PIX Connect • Aluminum case • Optional: CoolingJacket, HT cable

¹⁾ Can be placed anywhere within the full FOV

²⁾ <4 K (>1000 °C [1832 °F]) / 27 Hz to 1 kHz

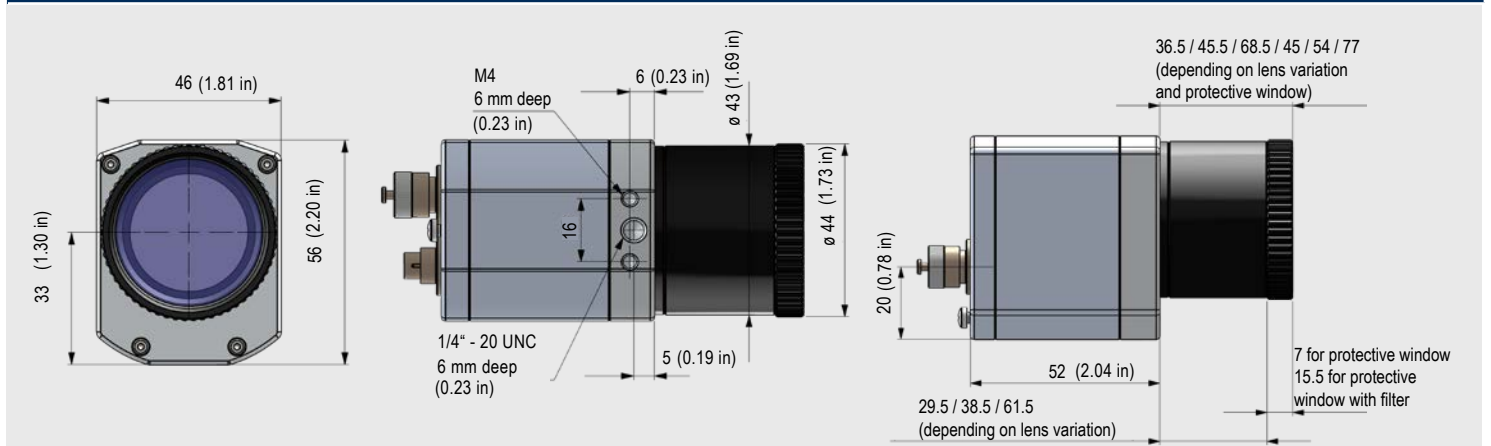
³⁾ for 1 kHz mode: +/- 1,5 % of reading (<1500 °C [2732 °F]) / +/- 2 % of reading (>1500 °C [2732 °F])

⁴⁾ Only applies when lens protection tube is used

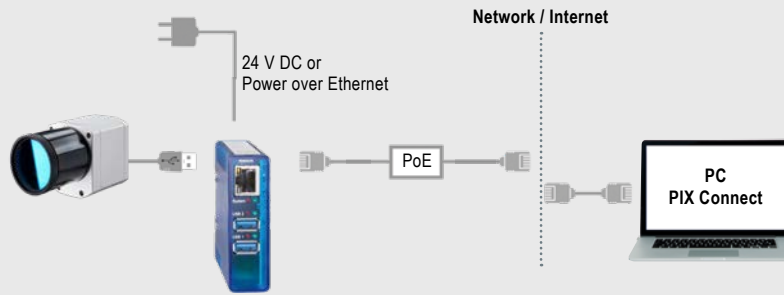
⁵⁾ For more details see operator's manual

optris PI 08M

Dimensions



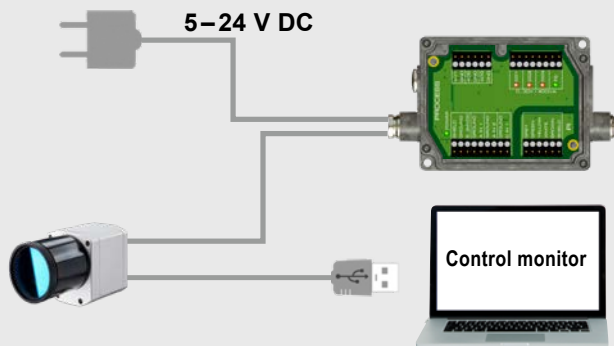
Process integration



optris USB-Server Gigabit 2.0

- Network connection via Gigabit Ethernet
- Full TCP/IP support incl. routing and DNS
- Two independent USB ports
- Power over Ethernet or external voltage supply at 24 – 48 V DC
- Galvanic isolation 500 V_{RMS}
- Remotely configurable via web based management

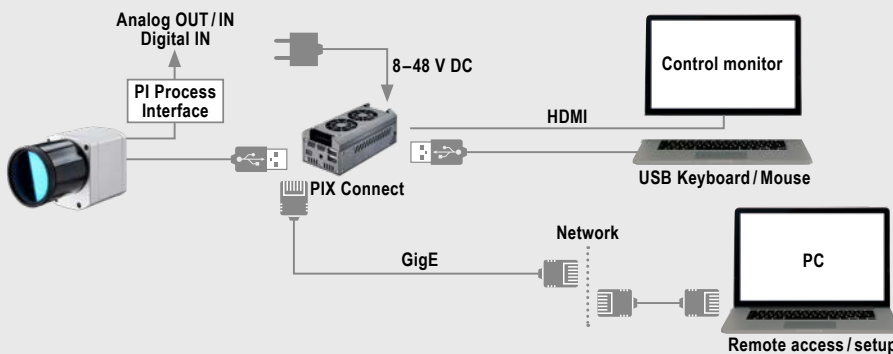
For further information please visit www.optris.com/usb-server-industry-isochron



optris Industrial process interface

- Use of camera for process monitoring in industrial environments
- Continuous fail safe monitoring of imager, software and cable connections
- 3 analog / alarm outputs, 2 analog inputs, 1 digital input, 3 alarm relays, 1 fail-safe relay

For further information please visit www.optris.com/industrial-process-interface



optris PI NetBox

- Miniature PC as add-on to the PI series for stand-alone system
- Integrated hardware and software watchdog
- Connections: 2x USB 2.0, 1x USB 3.0, 1x Mini-USB 2.0, Micro-HDMI, Ethernet (Gigabit Ethernet), micro SDHC / SDXC card

For further information please visit www.optris.com/pi-netbox