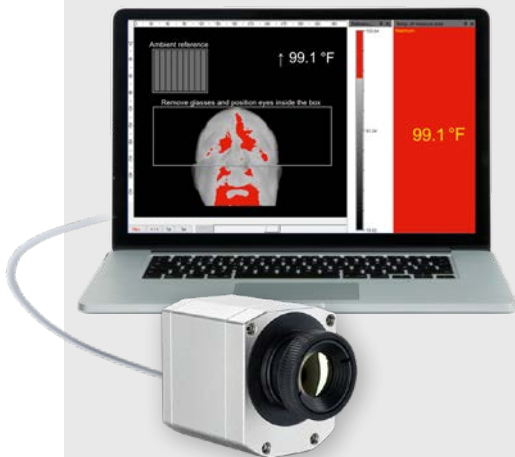
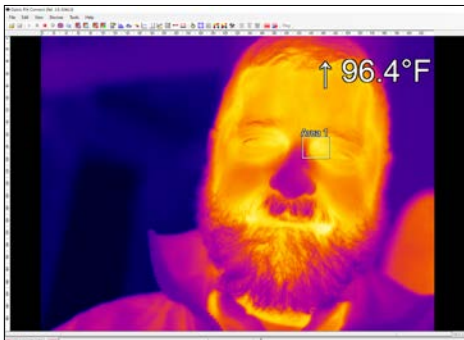
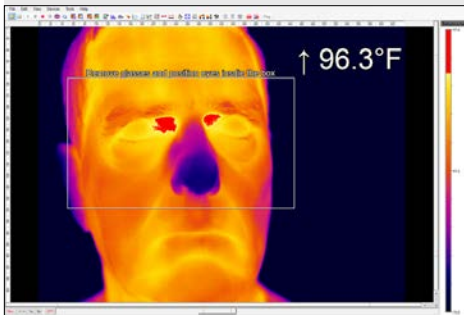


IR camera for the detection of  
slightest temperature differences  
for fever screening applications

Features:

- Smallest camera in its class 46 x 56 x 68 – 77 mm (1.81 x 2.2 x 2.68 - 3.03 in)
- Interchangeable lenses
- Superb thermal sensitivity of 40 mK
- Licence-free analysis software and calibration certificate included



PI 400i T010 and PC with software PIX Connect

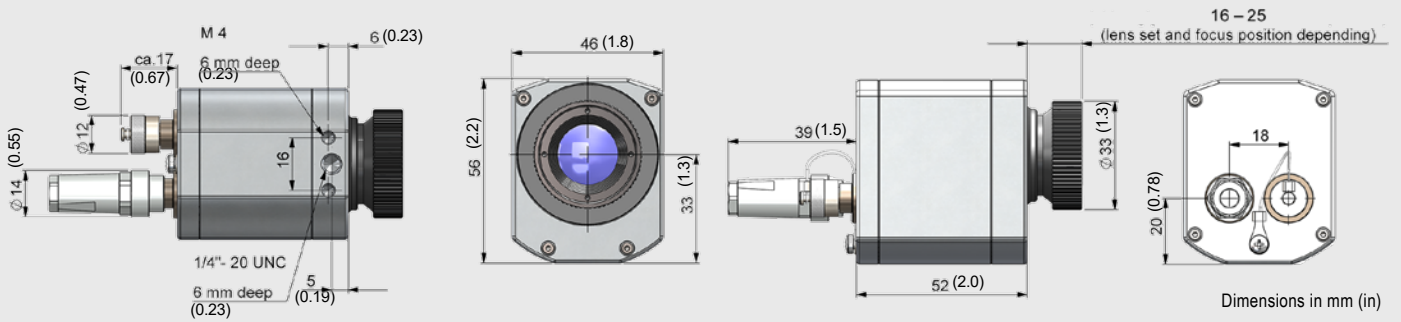
Technical specifications

Optical resolution	382 x 288 pixels
Detector	FPA, uncooled (17 µm x 17 µm)
Spectral range	8 – 14 µm
Temperature range	-20 ... 100 °C (-4 ... 212 °F)
Frame rate	80 Hz / switchable to 27 Hz
Optics (FOV)	18° x 14° / f = 20 mm (f = 0.7 in) or 29° x 22° / f = 12.7 mm (f = 0.5 in) or 53° x 38° / f = 7.7 mm (f = 0.3 in) or 80° x 54° / f = 5.7 mm (f = 0.2 in)
Thermal sensitivity (NETD)	40 mK mit 29° x 22° FOV / F = 0,9 40 mK mit 53° x 38° FOV / F = 0,9 40 mK mit 80° x 54° FOV / F = 0,9 0,06 K mit 18° x 14° FOV / F = 1,1
Accuracy	±2 °C (±3.6 °F)
Accuracy with BR 20AR (T <sub>Amb</sub> 18 °C [64 °F] ... 33 °C [91 °F])	±0.5 °C [0.9 °F] (T <sub>Obj</sub> 30 °C [86 °F] ... 40 °C [104 °F])
PC interfaces	USB 2.0 / optional USB to GigE (PoE) interface
Process interface (PIF), standard	0 – 10 V input, digital input (max. 24 V), 0 – 10 V output
Process interface (PIF), industrial (optional)	2x 0 – 10 V input, digital input (max. 24 V), 3x 0/4 – 20 mA outputs, 3x relays (0–30 V/ 400 mA), fail-safe relay
Cable length (USB)	1 (standard) / 5 m / 10 m / 20 m (3.3 / 16.4 / 32.8 / 65.6 ft)
Ambient temperature	0 °C ... 50 °C (32 °F ... 122 °F)
Storage temperature	-40 °C ... 70 °C (-40 °F ... 158 °F)
Relative humidity	20 – 80 %, non-condensing
Enclosure (size / rating)	46 x 56 x 68 – 77 mm (1.81 x 2.2 x 2.68 - 3.03 in) (depending on lens + focus position) / IP 67 (NEMA 4)
Weight	237 - 251 g (8.36 - 8.85 oz), depending on lens
Shock <sup>1)</sup> / vibration <sup>1)</sup>	IEC 60068-2-27 (25G and 50G) / IEC 60068-2-6 (sinus shaped), IEC 60068-2-64 (broadband noise)
Tripod mount	¼ - 20 UNC
Power supply	via USB
Scope of supply	<ul style="list-style-type: none"> <li>• USB camera, incl. lens</li> <li>• USB cable (1 m [3.3 ft])</li> <li>• Table tripod</li> <li>• PIF cable, incl. terminal block (1 m [3.3 ft])</li> </ul> <ul style="list-style-type: none"> <li>• Software package optris PIX Connect</li> <li>• Test certificate</li> <li>• Rugged outdoor transport case (IP67)</li> <li>• Certificate of calibration (reference temperature: 95 °F)</li> </ul>

<sup>1)</sup> For further information see operator's manual

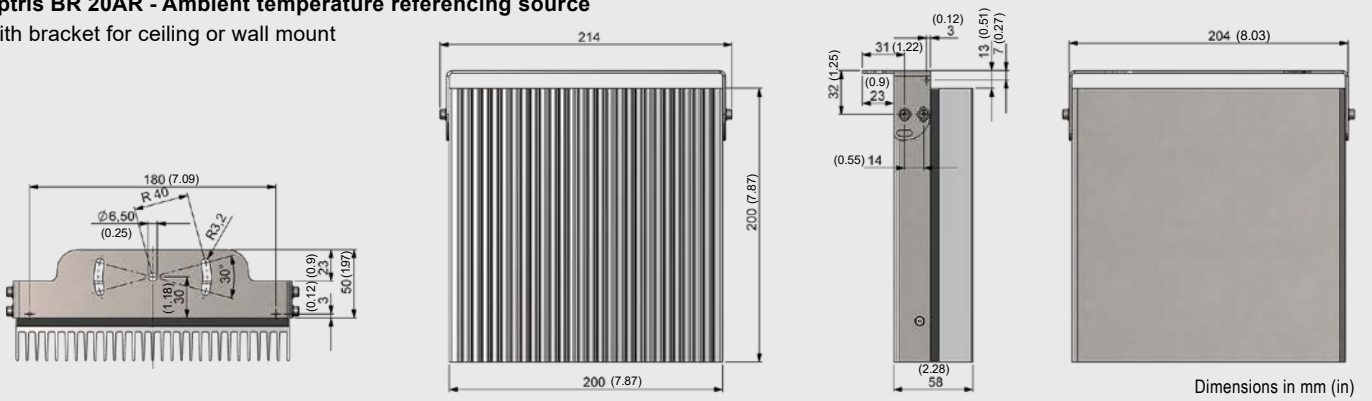
# optris PI 400i T010

## Dimensions



## Recommended accessory

**optris BR 20AR - Ambient temperature referencing source**  
with bracket for ceiling or wall mount



## Installation of PI 400i T010 and BR 20AR at an inspection gate for individual fever screening

