

Xi accessories for accurate temperature measurements in harsh environments

For an optimal integration of our Xi infrared cameras in applications in rough industrial surroundings, the following combinable accessories are available.

Accessories Part-No.:	Air purge laminar ACXIAPL	Water cooled housing ACXIW	Shutter ACXIS
			
	Air purge laminar (ACXIAPL) with mounting bracket (ACXIAPLAB)	Water cooled housing (ACXIW) incl. mounting bracket, adjustable in two axis	Shutter (ACXIS)
Features:	<ul style="list-style-type: none"> To guarantee a reliable temperature measurement in the long-term the IR camera lens must be kept clean at all times from dust, smoke, fumes and other contaminants in order to avoid reading errors The air purge attachment can be used to protect the Xi optics from contamination in rough and dusty areas 	<ul style="list-style-type: none"> The rugged water cooled housing allows the Xi infrared cameras to be employed in hot environments up to 250 °C (482 °F) Respective heat-resistant cables are also available and recommended 	<ul style="list-style-type: none"> To protect the Xi camera optics a shutter (closing mechanism) can be purchased, which is equipped with a servomotor that can open and close a mechanical lock as needed Special feature: Shutter has a 100 ms fast-closing mode Complete seal when closed, this ensures that no dirt can get on the optics
Material:	Anodized aluminum	Stainless steel	Stainless steel
Weight:	218 g (7.7 oz) / 494 g (17.4 oz) with mounting bracket	1710 g (60.3 oz)	550 g (19.4 oz) / 826 g (29.1 oz) with mounting bracket
Note:	<ul style="list-style-type: none"> Ambient temperature: 0 (32 °F) ... 80 °C (176 °F) Make sure to use oil-free, technically clean air only Needed amount of air (approx. 2...10 l/min) depending on application and installation conditions on-site The laminar air purge has a Si-protective window / typical transmission value: 0.82 Corresponding replacement window (Part-No.: ACXIAPLWPSI) Corresponding mounting bracket (Part-No.: ACXIAPLAB) is required 	<ul style="list-style-type: none"> Ambient temperature up to 250 °C¹⁾ (482 °F) Water flow rate: approx. 1 - 5 l/min (Cooling water temperature should not exceed 30 °C (86 °F)) Corresponding mounting kit (Part-No.: ACXIxxxWAKx)²⁾ is required (WAK1: Usage without air purge, WAK2: Usage with air purge)²⁾ To avoid condensation the laminar air purge (Part-No.: ACXIAPL) is recommended 	<ul style="list-style-type: none"> Ambient temperature: 0 (32 °F) ... 60 °C (140 °F) Includes a control box for connections Can be used with Process Interface (PIF) (Xi 80 Part-No.: ACXIPIFCBx*, Xi 400 Part-No.: ACXIPIFMACBx*)²⁾ Corresponding mounting bracket (Part-No.: ACXIAPLAB) is required
 YouTube „How-to“ video tutorials	<ul style="list-style-type: none"> Exchange an Xi Air purge window Xi 80 Air purge installation 	Assembling an Xi 400 into a water cooled housing attaching a laminar air purge	
			

¹⁾Ambient temperature of Xi camera: 0 (32 °F) ... 50 °C (122 °F)

²⁾For more information see operators manual

optris Xi Accessories

TECHNICAL DATA

Combinations



+



+



=



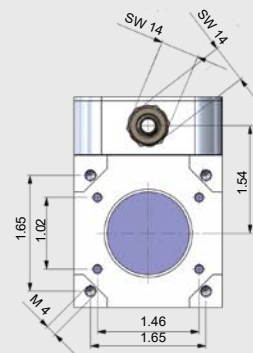
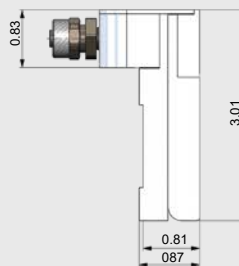
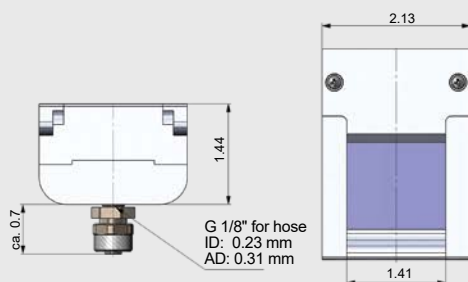
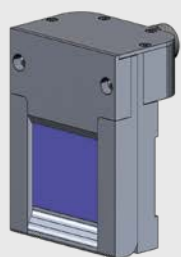
Air purge laminar
(ACXIAPL)

Water cooled housing
(ACXIW)

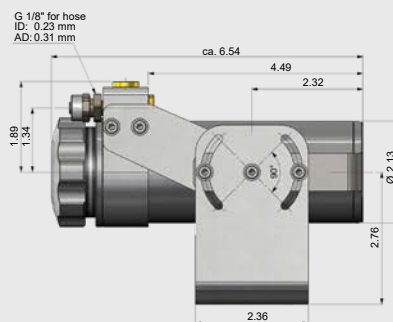
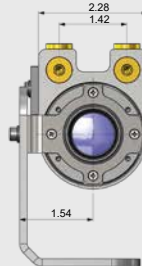
Shutter
(ACXISW)

**Air purge laminar, shutter
and water cooled housing**

Dimensions: Air purge laminar (in)



Dimensions: Water cooled housing (in)



Dimensions: Shutter (in)

